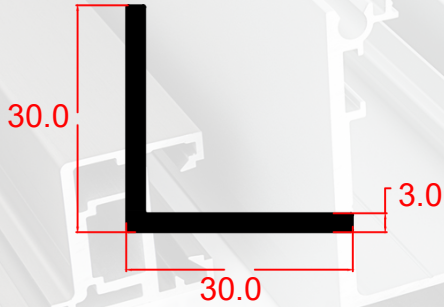


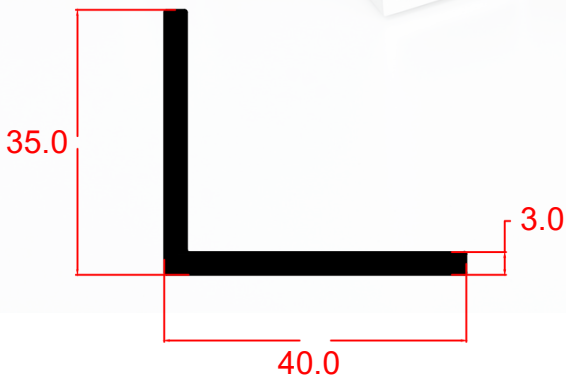
NEW M METAL
نِيْمِيْتَال

New Metal Factory For Aluminum
Extrusion And Powder Coating

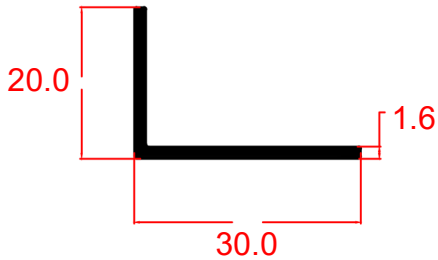
نظام قطاعات الزوايا
Angles Profiles System



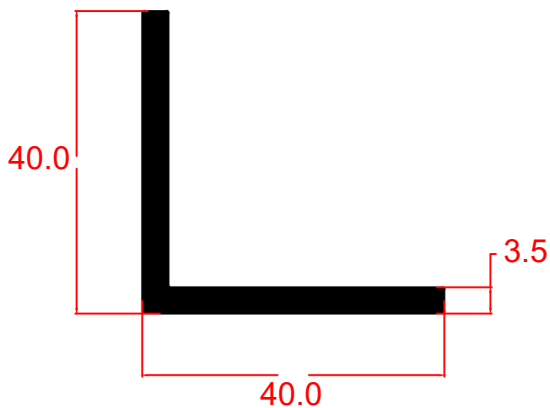
TGN 301
WT: 462 gr/ml



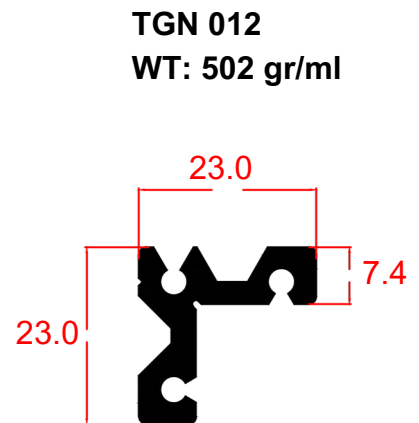
TGN 302
WT: 583 gr/ml



TGN 303
WT: 208 gr/ml



TGN 304
WT: 821 gr/ml



TGN 012
WT: 502 gr/ml