

NEW METAL
نيو ميتال

New Metal Factory For Aluminum
Extrusion And Powder Coating

نظام قطاعات المفصلي

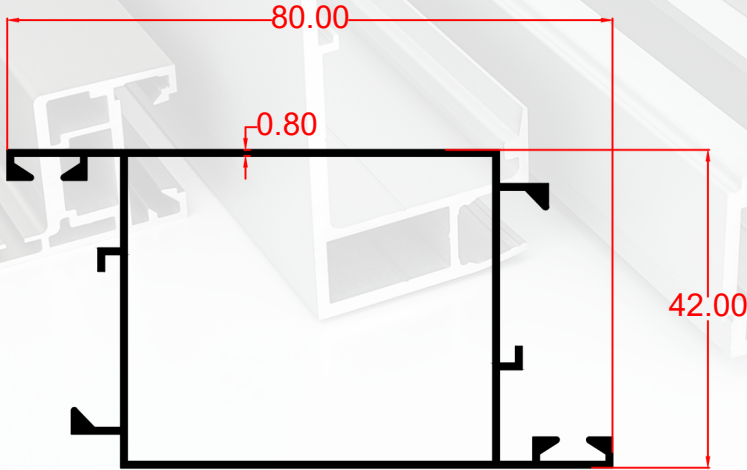
Hinges Profiles System



+966 55 3344 259

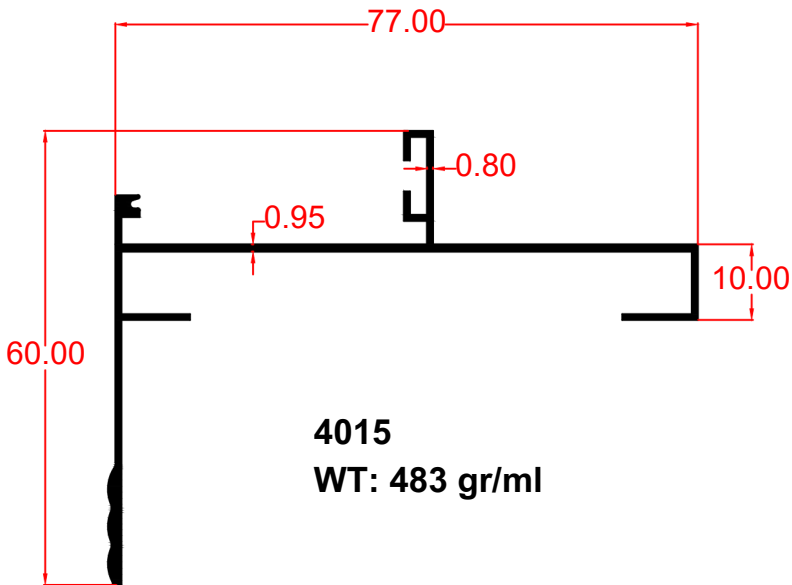
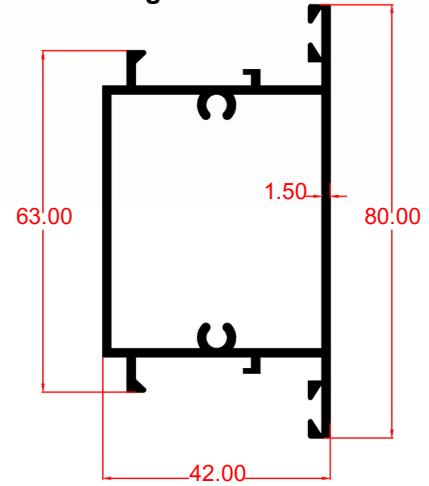
www.newmetal.com

Industrial City (Modon) - AL-Kharj - Saudi Arabia

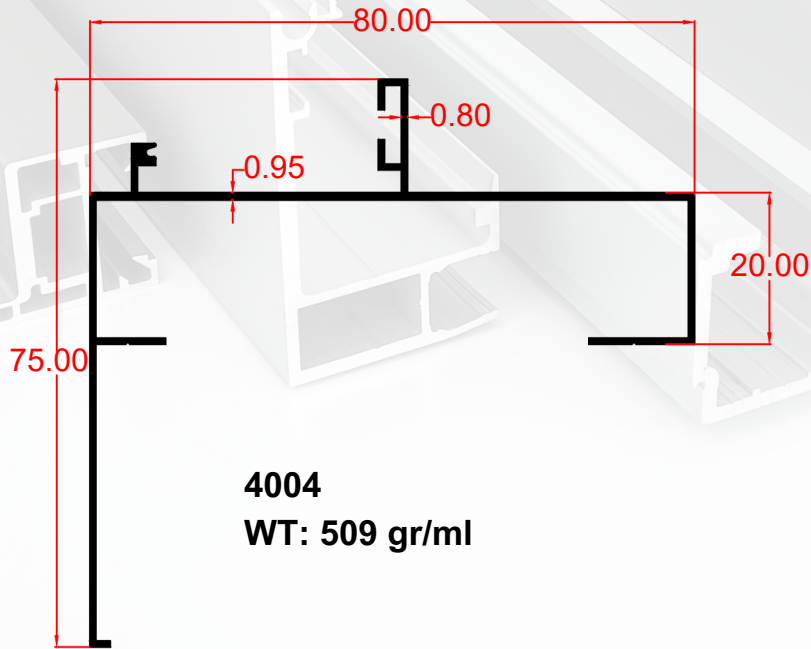


4036
WT: 619 gr/ml

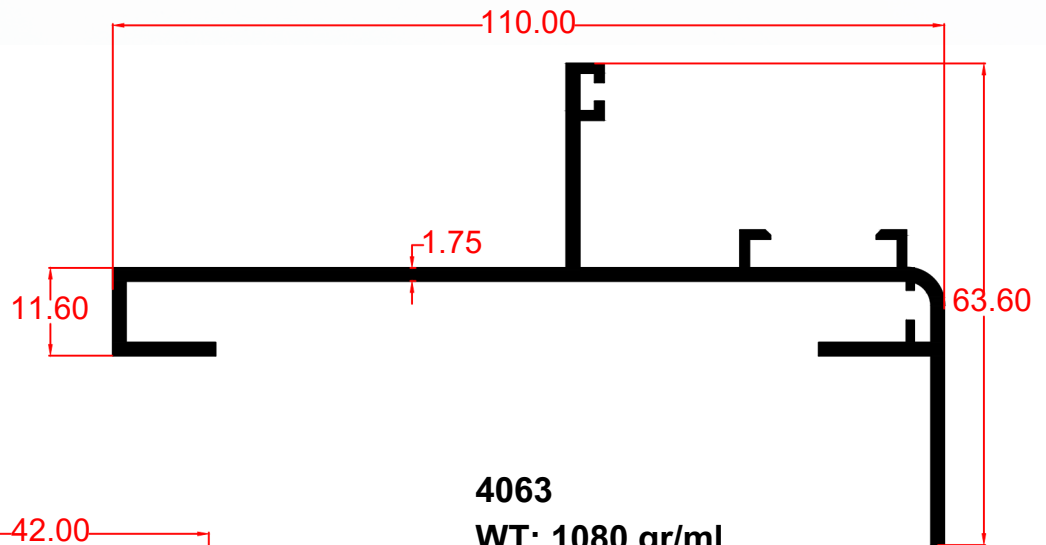
4037
WT: 1087 gr/ml



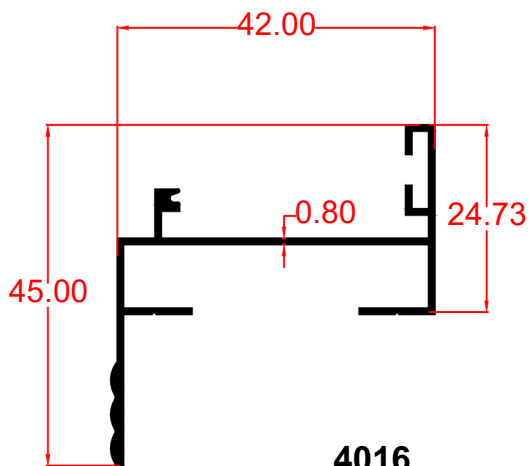
4015
WT: 483 gr/ml



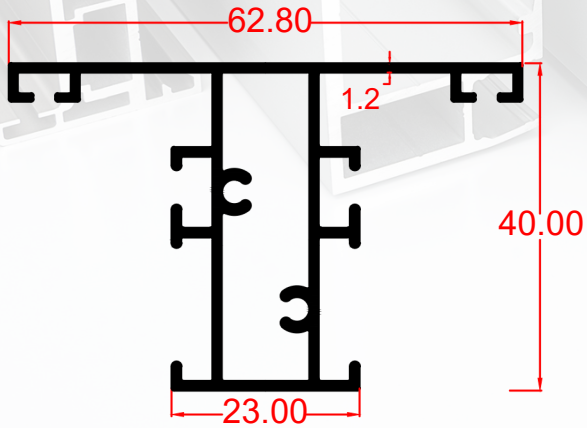
4004
WT: 509 gr/ml



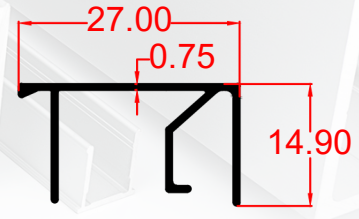
4063
WT: 1080 gr/ml



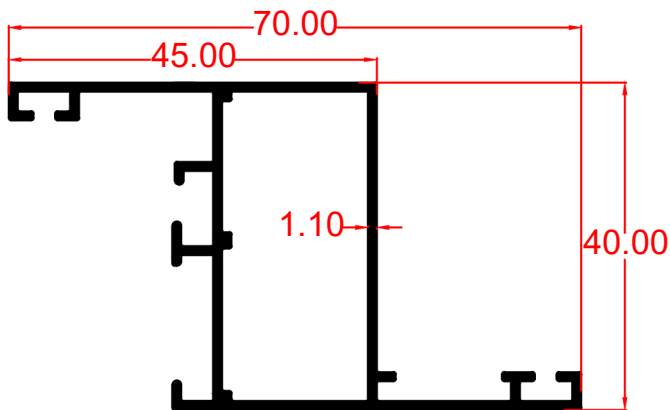
4016
WT: 324 gr/ml



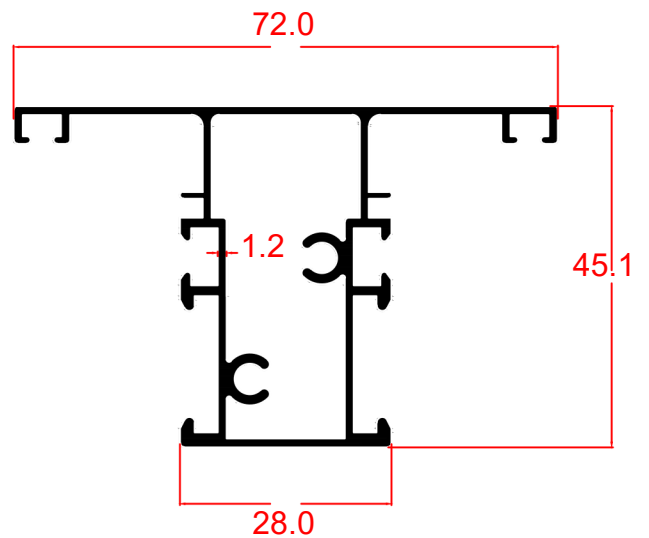
TGN 2061
WT: 732 gr/ml



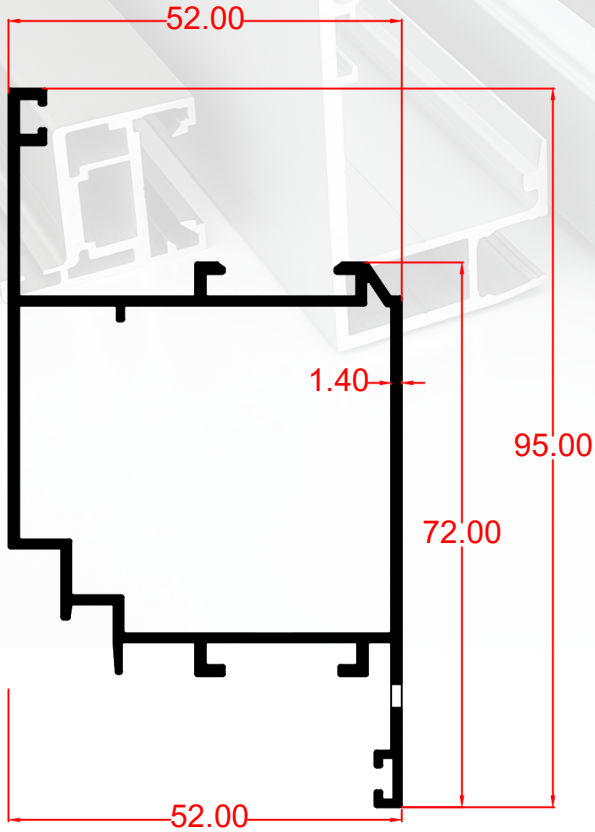
TGN 2060
WT: 151 gr/ml



TGN 2059
WT: 648 gr/ml

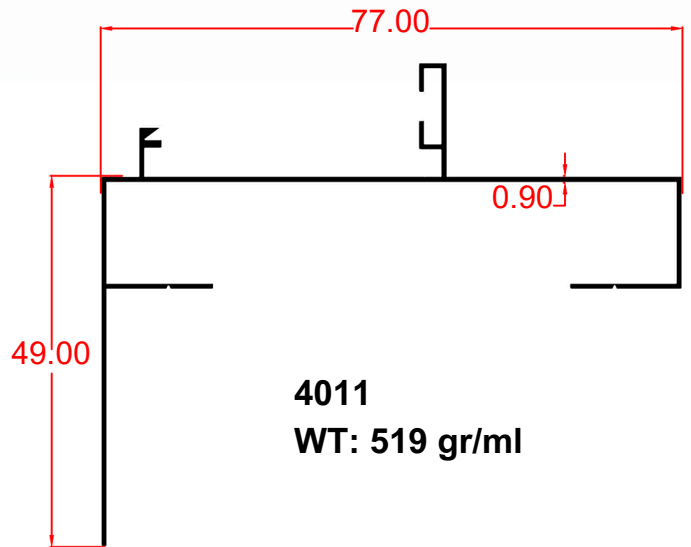
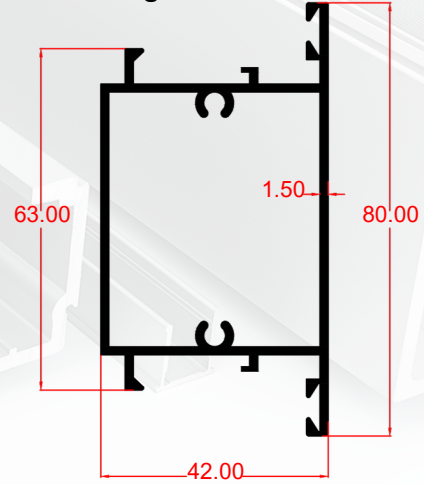


4062 WT: 940 gr/ml

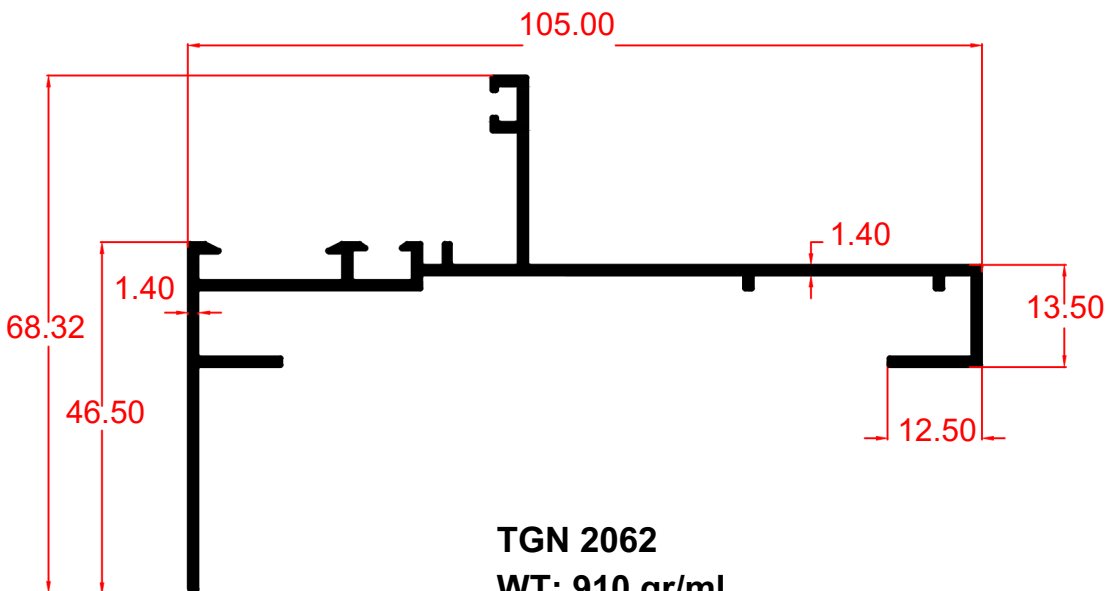


TGN 2015
WT: 1031 gr/ml

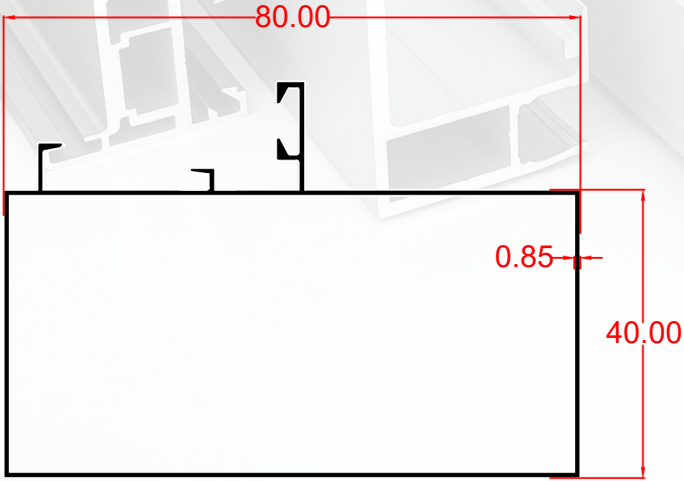
4037
WT: 1087 gr/ml



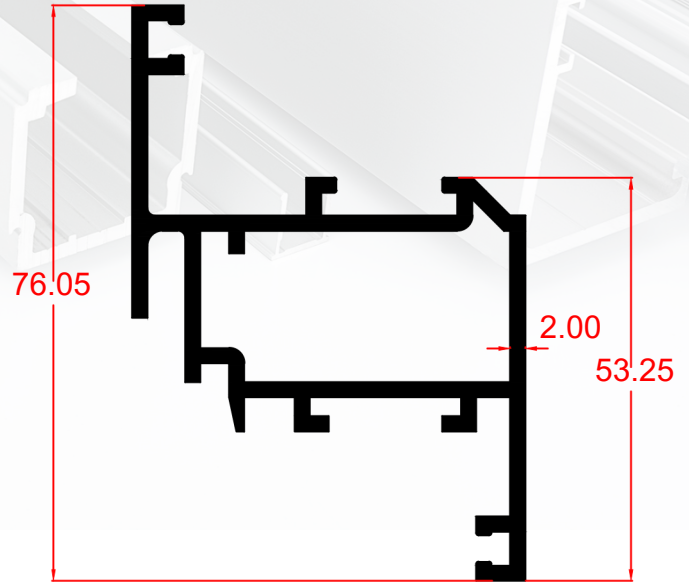
4011
WT: 519 gr/ml



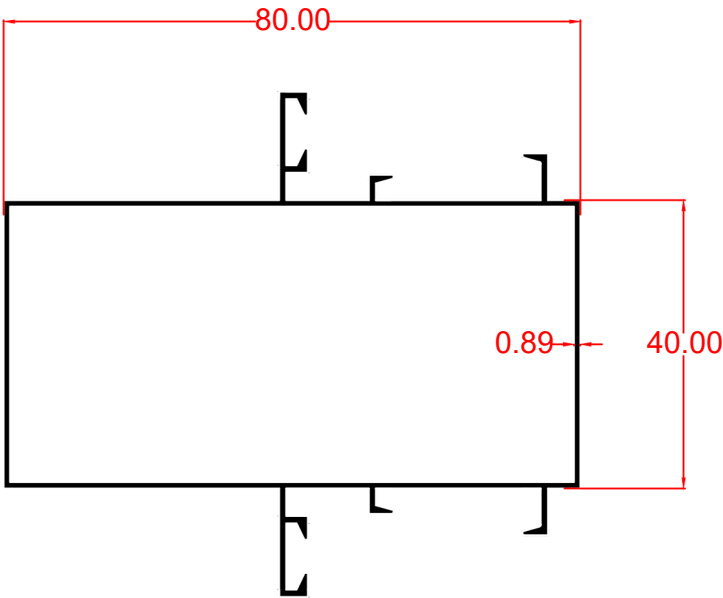
TGN 2062
WT: 910 gr/ml



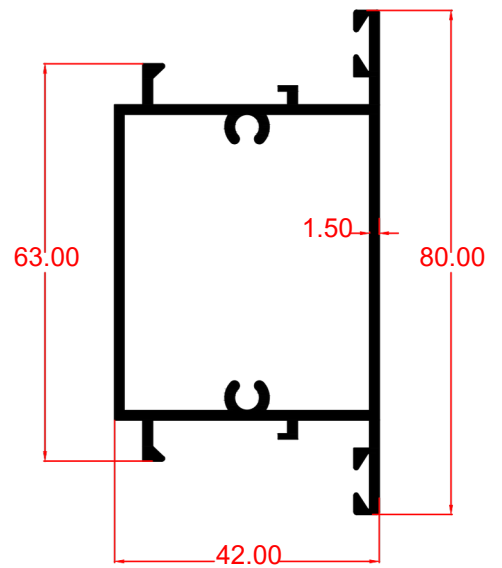
6013
WT: 707 gr/ml



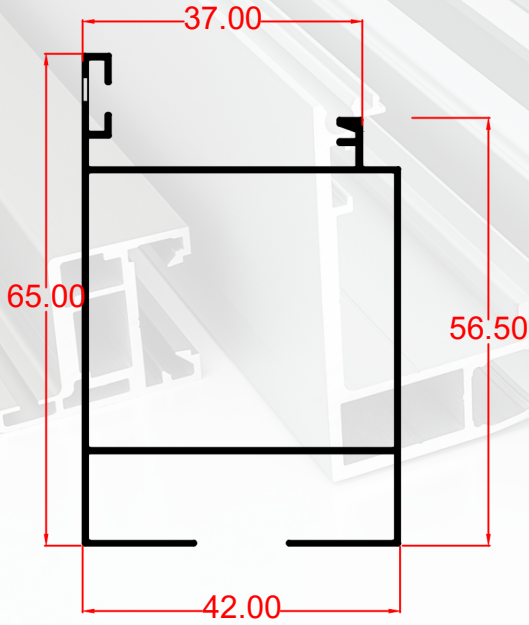
4050H
WT: 1401gr/ml



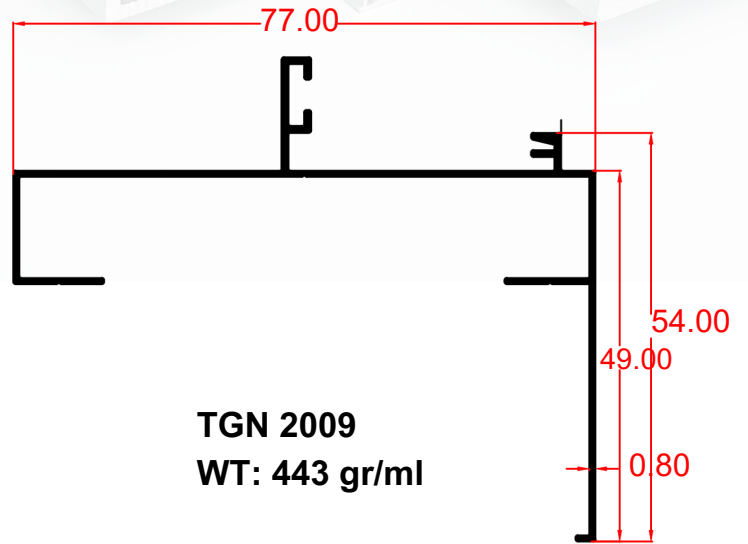
6014
WT: 794 gr/ml



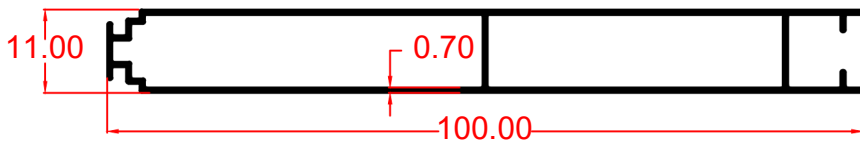
4037
WT: 1087 gr/ml



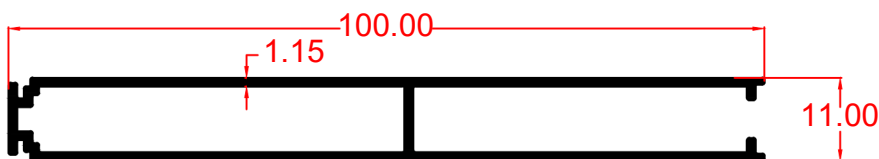
TGN 2004
WT: 240 gr/ml



TGN 2009
WT: 443 gr/ml



TGN 407
WT: 448 gr/ml



6838
WT: 702 gr/ml