

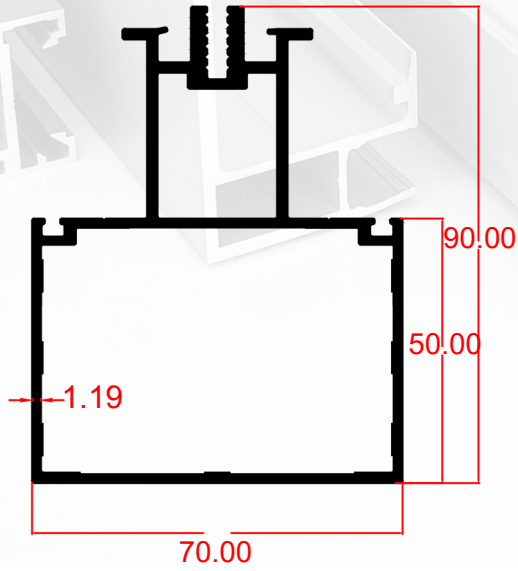
NEW METAL
نئی میٹال

New Metal Factory For Aluminum
Extrusion And Powder Coating

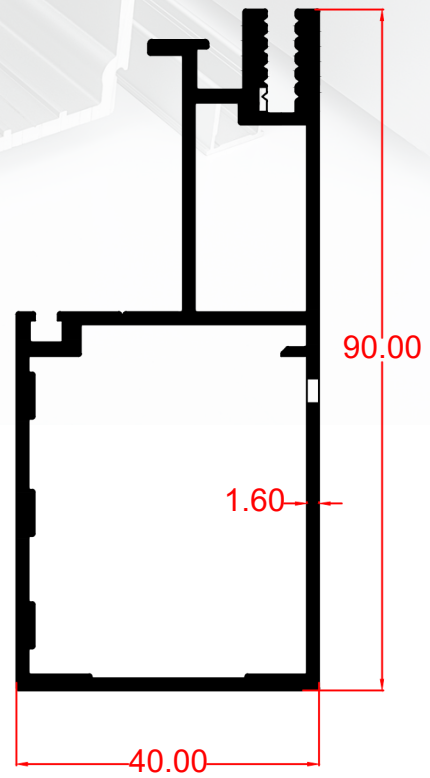
نظام قطاعات الفورتكس

Fortix Profile System

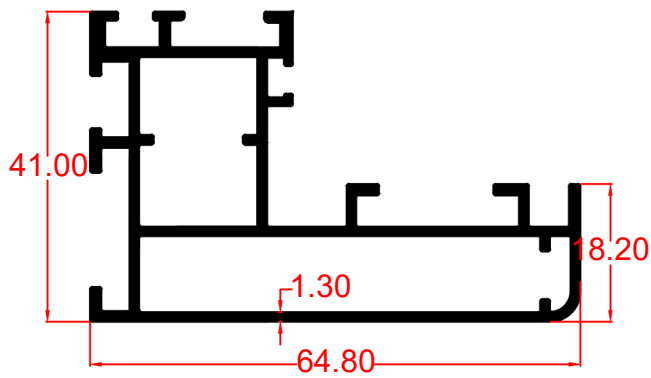




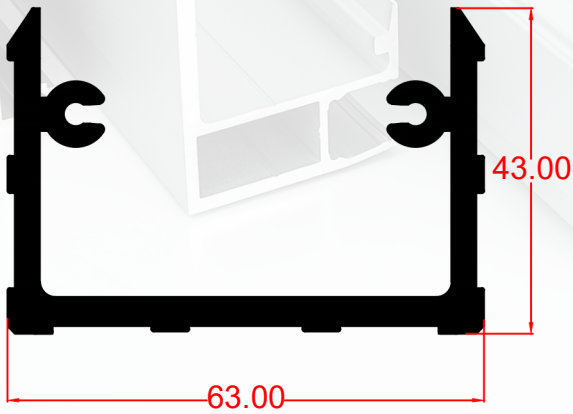
TGN 1002
WT: 1952 gr/ml



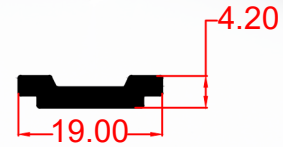
TGN 1004
WT: 1447 gr/ml



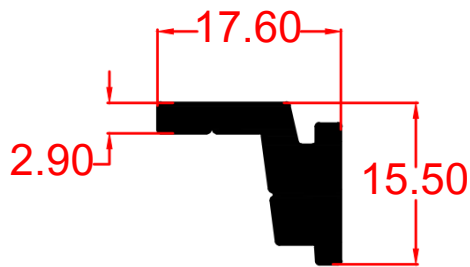
TGN 1003
WT: 1040 gr/ml



TGN 1011
WT: 1661 gr/ml



TGN 2021
WT: 154 gr/ml



TGN 1012
WT: 313 gr/ml